

Visions Double-Slide Window Parts Reference Catalog

#1028238 (05/02)

VISIONS 2000[®]

Vinyl Windows & Doors



Weather Shield Mfg., Inc.
Medford, WI 54451 • 715/748-2100



Double-Slide Window Parts Reference Catalog Guide	Page 1
Double-Slide Window Exploded View	Page 2
Double-Slide Window Horizontal/Vertical Mull Cross Sections	Page 3
Double-Slide Window Side View Weather Strip Placement	Page 4
Double-Slide Window Top View Weather Strip Placement	Page 5
Double-Slide Window Measurement Conversion Table	Page 6
Double-Slide Window How To Measure To Order Replacement Parts	Page 7
Double-Slide Window Ordering Specifications	Page 9
Double-Slide Window Glass and Sash Replacement Order Form	Page 11
Double-Slide Window Sash, Glass, and Glazing Bead	Page 12
Double-Slide Window Glazing Options	Page 14
Double-Slide Window Grille/SDL Division Chart	Page 15
Double-Slide Window Screen Parts	Page 16
Double-Slide Window	
Horizontal Replacement Parts	Page 17
Vertical Replacement Parts	Page 19
Miscellaneous Replacement Parts	Page 21
Accessories	Page 25



Please Specify Product Option Numbers or Part Numbers When Ordering.

PURPOSE

This catalog is intended to assist you in identifying and ordering replacement parts.

CATALOG FORMAT

1) Exploded View Page (Page 2)

Shows part locations.

Each part name is shown at the bottom of the page with a reference page number to turn to for specific information on that part.

2) "Measuring Your Unit" Pages (Pages 6-8)

After the cross section pages is an informational page explaining how to measure your unit to order correct replacement part sizes.

3) Detailed Parts Information Pages (Pages 12-29)

Pages are organized under four general categories: Horizontal, Vertical, Sash-Glass-Screens, and Miscellaneous Parts Pages.

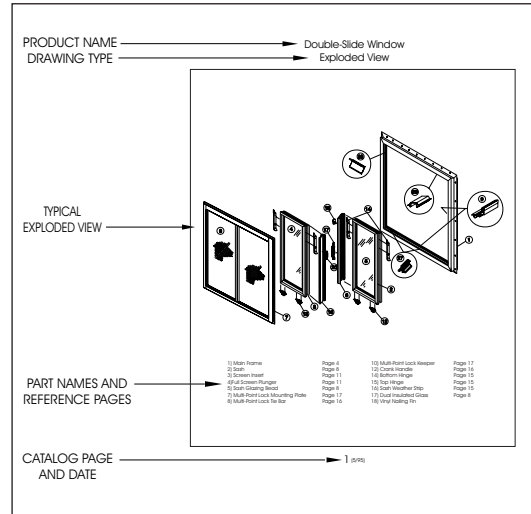
Drawings of the parts and their descriptions are shown at the left of the page as they will show up on your order acknowledgement.

Product options and part numbers are shown at the right for you to specify when ordering.

At the end of some part descriptions are brackets with "S" or "E" followed by dates. This indicates when parts were started or ended in production.

4) Configured Number Pages (Pages 12-29)

Parts ordering system as of 2002.



Vinyl VS Single-Hung Horizontal Parts (11.0)

SIZE TO SPECIFY FOR ORDERING

DESCRIPTION	1 1/2" x 2 1/2" (38.1x63.5)	2" x 3" (50.8x76.2)	2 1/2" x 3 1/2" (63.5x88.9)	3" x 4" (76.2x101.6)	3 1/2" x 4 1/2" (88.9x114.3)	4" x 5" (101.6x127)	4 1/2" x 5 1/2" (114.3x139.7)	5" x 6" (127x152.4)
#11 VS 50 Aluminum DPO Cap Material: 6061-T6 Finish: 1000000	1000000	1000000	1000000	1000000	1000000	1000000	1000000	1000000
#12 VS 50 1/2" Inactive Meeting Bar (11.0) Material: 6061-T6 Finish: 1000000	1000000	1000000	1000000	1000000	1000000	1000000	1000000	1000000
#13 VS 50 1/2" Inactive Sash/Fixture With/With/Without (11.0) Material: 6061-T6 Finish: 1000000	1000000	1000000	1000000	1000000	1000000	1000000	1000000	1000000
#14 VS 50 1/2" Inactive Sash Support (11.0) Material: 6061-T6 Finish: 1000000	1000000	1000000	1000000	1000000	1000000	1000000	1000000	1000000
#15 VS 50 1/2" Inactive Sash Cover Material: 6061-T6 Finish: 1000000	1000000	1000000	1000000	1000000	1000000	1000000	1000000	1000000
#16 VS 50 1/2" Inactive Sash Pin Material: 6061-T6 Finish: 1000000	1000000	1000000	1000000	1000000	1000000	1000000	1000000	1000000

STARTING AND ENDING DATES FOR PARTS (S 7-14-93) (WHEN ENDING DATE IS NOT SHOWN, PART IS STILL IN USE)

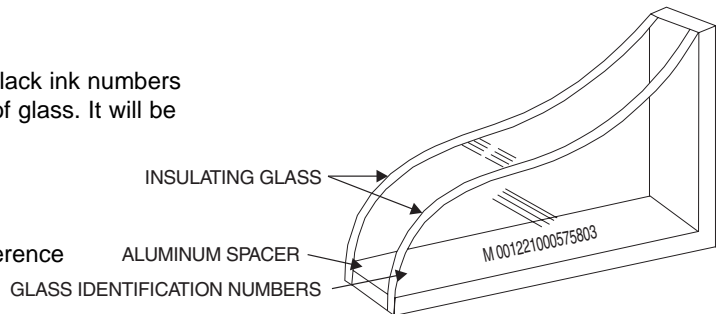
CONFIGURED NUMBERS: 8 (05/02)

GLASS IDENTIFICATION NUMBERS

To identify when your unit was produced, look for the black ink numbers stamped on the aluminum spacer between the lites of glass. It will be near one of the four corners. See sketch at right.

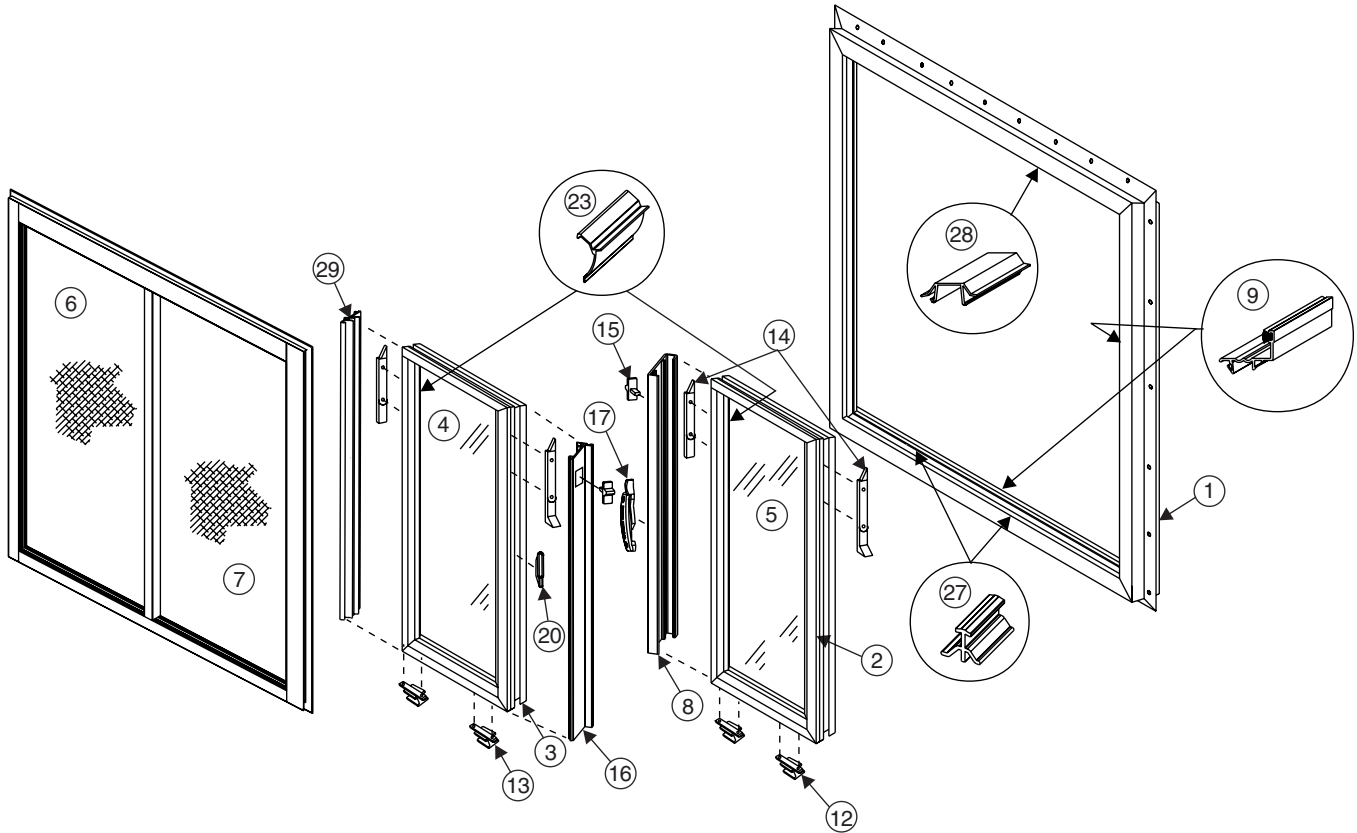
QUESTIONS

Contact your Customer Service Representative if you have any questions concerning how to use parts reference catalogs.





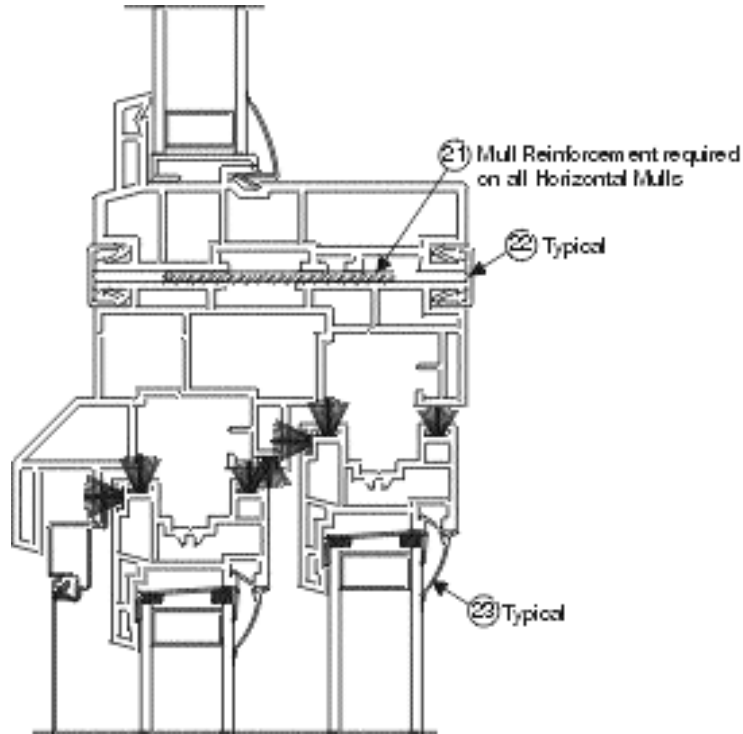
Drawing Not To Scale



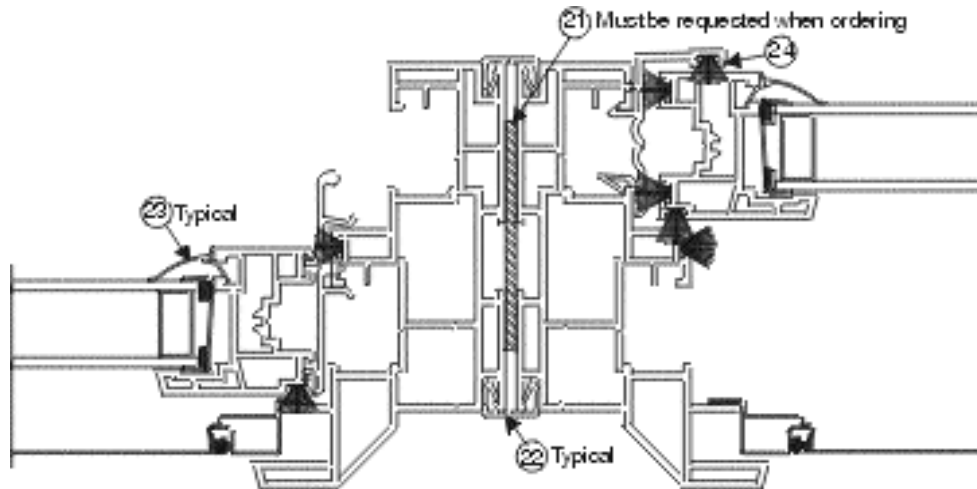
1) Main Frame	Page 12	13) Outside Bottom Rail Sash Slide	Page 22
2) Active/Inside Sash	Page 12	14) Latches	Page 22
3) Inactive/Outside Sash	Page 12	15) Thumb Button	Page 22
4) Inactive, Insul Glass	Page 12	16) Inactive/Outside Sash Interlock	Page 20
5) Active, Insul Glass	Page 12	17) Sash Lock	Page 21
6) Screen	Page 16	20) Reversible Lock Slot Insert	Page 21
7) Plunger Spring Assembly (location varies)	Page 16	23) Glazing Bead	Page 13
8) Active Sash Interlock	Page 20	27) Sill Cavity Reinforcement	Page 17
9) Vinyl Sill & Side Jamb Cover	Page 17	28) Sash Stop	Page 21
12) Inside Bottom Rail Sash Slide	Page 22	29) Outside Sash Fingerlift	Page 20
		Pile Weather Strip (not shown)	Pages 4, 5 & 22



Drawings Not To Scale



Horizontal Mull Tight Stack Detail

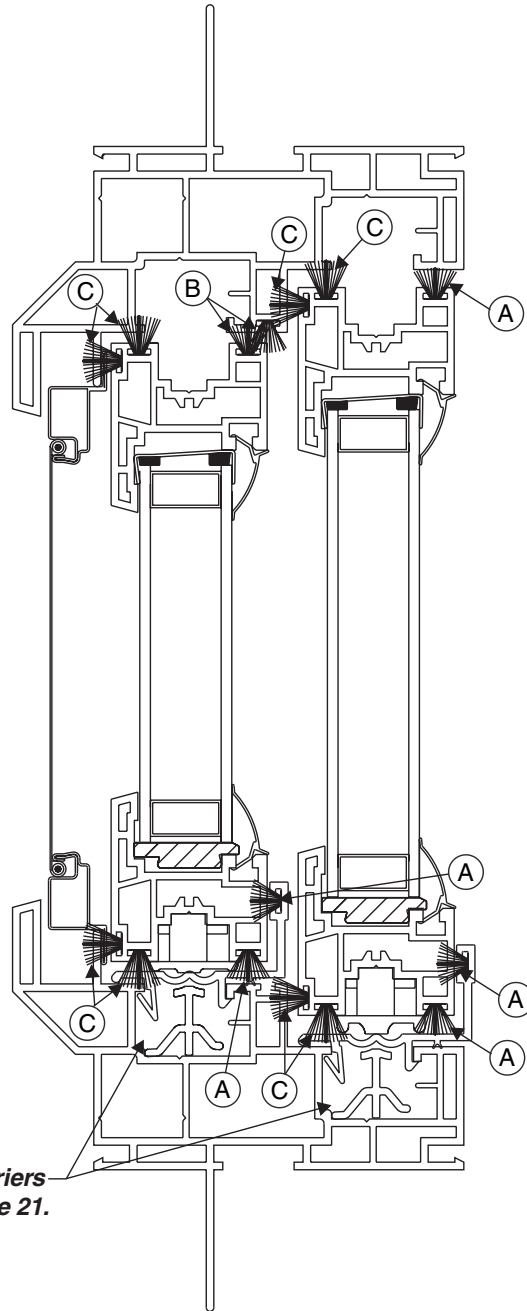


Vertical Tight Mull Detail

- | | |
|-------------------------------|---------------|
| 21) Mull Reinforcement Bar | Pages 18 & 19 |
| 22) Small Mull Cover | Pages 18 & 19 |
| 23) Double-Slide Glazing Bead | Page 13 |
| 24) Vinyl Side Jamb Cover | Page 19 |



Drawing Not To Scale

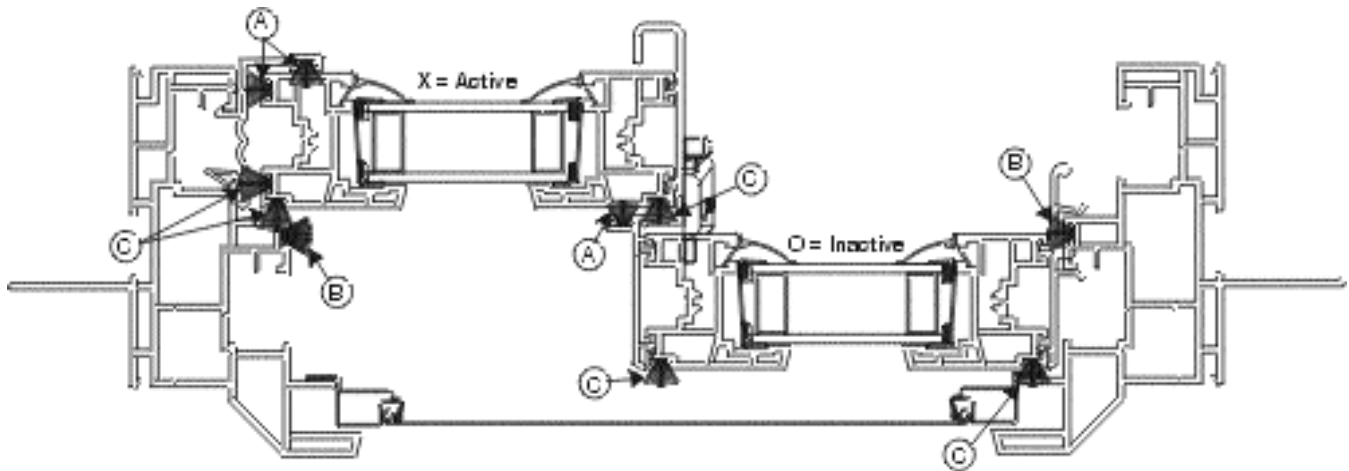


NOTE: Sill Inside Insect Barriers removed for clarity. See page 21.

- A) .270 Height Pile Weather Strip w/Center Fin
- B) .280 Height Pile Weather Strip w/o Center Fin
- C) .350 Height Pile Weather Strip w/Center Fin



Drawing Not To Scale



- A) .270 Height Pile Weather Strip w/Center Fin
- B) .280 Height Pile Weather Strip w/o Center Fin
- C) .350 Height Pile Weather Strip w/Center Fin

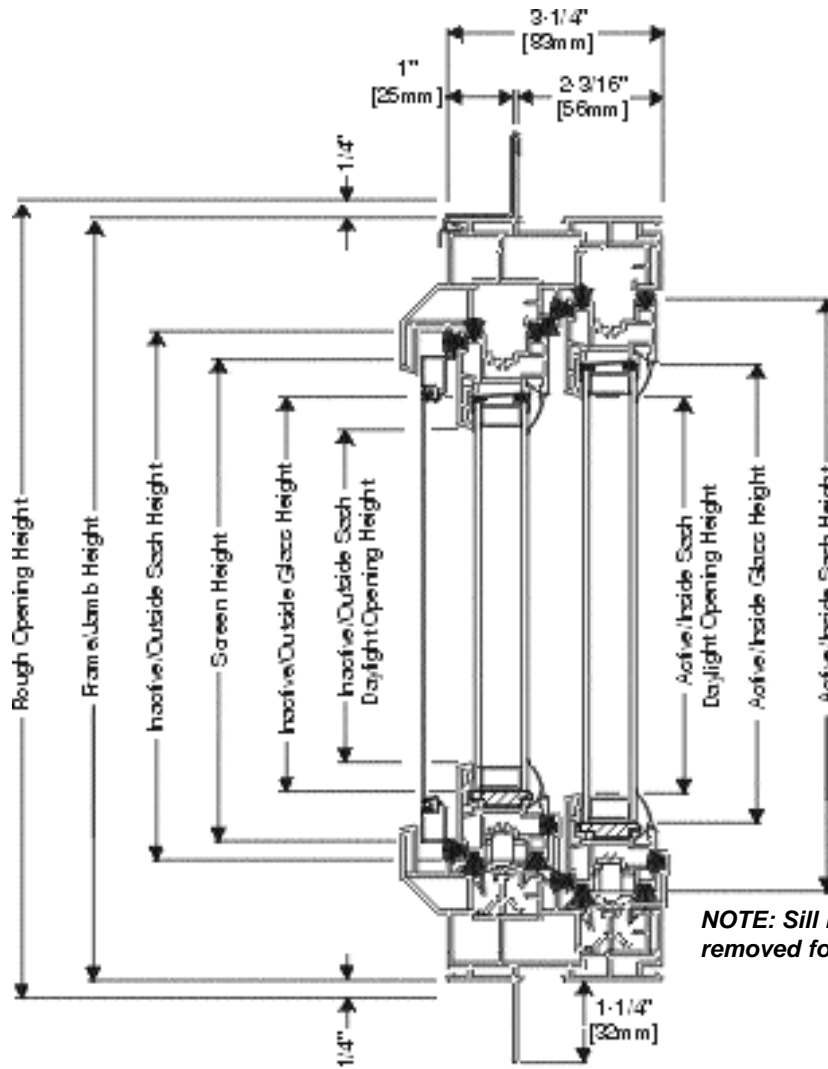


			Sash	Width	Height
			If you know Jamb Size and want to determine:	Sash Size	Add or Subtract from Jamb Size:
	Outside	$(\text{Jamb Size} \div 2) - 1-15/16''$ [49mm]		$- 3-19/32''$ [91mm]	
Glass Size	Inside	$(\text{Jamb Size} \div 2) - 2-15/16''$ [75mm]		$- 4-5/8''$ [117mm]	
	Outside	$(\text{Jamb Size} \div 2) - 4''$ [102mm]		$- 5-11/16''$ [144mm]	
Rough Opening	N/A	$- 1/2''$ [13mm]		$+ 1/2''$ [13mm]	
Daylight Opening	Inside	$(\text{Jamb Size} \div 2) - 3-27/32''$ [98mm]		$- 5-17/32''$ [140mm]	
	Outside	$(\text{Jamb Size} \div 2) - 4-15/16''$ [125mm]	$- 6-19/32''$ [167mm]		
	*Screen Size	N/A	$- 4-5/16''$ [110mm]	$- 4-5/16''$ [110mm]	
If you know Sash Size and want to determine:	Jamb Size	Add or Subtract from Sash Size:	Inside	$(\text{Sash Size} \times 2) + 1-11/16''$ [43mm]	$+ 2-17/32''$ [64mm]
			Outside	$(\text{Sash Size} \times 2) + 3-7/8''$ [98mm]	$+ 3-19/32''$ [91mm]
	Glass Size		Inside	$- 2-3/32''$ [53mm]	$- 2-3/32''$ [53mm]
			Outside	$- 2-1/16''$ [52mm]	$- 2-3/32''$ [53mm]
	Rough Opening		Inside	$(\text{Sash Size} \times 2) + 2-3/16''$ [56mm]	$+ 3-1/32''$ [77mm]
			Outside	$(\text{Sash Size} \times 2) + 4-3/8''$ [111mm]	$+ 4-3/32''$ [104mm]
	Daylight Opening	Inside	$- 3''$ [76mm]	$- 3''$ [76mm]	
		Outside	$- 3''$ [76mm]	$- 3''$ [76mm]	
	*Screen Size	Inside	$+ 20-9/32''$ [515mm]	$- 1-25/32''$ [45mm]	
		Outside	$+ 21-3/8''$ [543mm]	$- 23/32''$ [18mm]	
If you know Glass Size and want to determine:	Jamb Size	Add or Subtract from Glass Size:	Inside	$(\text{Glass Size} \times 2) + 5-7/8''$ [149mm]	$+ 4-5/8''$ [117mm]
			Outside	$(\text{Glass Size} \times 2) + 8''$ [203mm]	$+ 5-11/16''$ [144mm]
	Sash Size		Inside	$+ 2-3/32''$ [53mm]	$+ 2-3/32''$ [53mm]
			Outside	$+ 2-1/16''$ [52mm]	$+ 2-3/32''$ [53mm]
	Rough Opening		Inside	$(\text{Glass Size} \times 2) + 6-3/8''$ [162mm]	$+ 5-1/8''$ [130mm]
			Outside	$(\text{Glass Size} \times 2) + 8-1/2''$ [216mm]	$+ 6-3/16''$ [157mm]
	Daylight Opening	Inside	$- 29/32''$ [23mm]	$- 29/32''$ [23mm]	
		Outside	$- 15/16''$ [24mm]	$- 29/32''$ [23mm]	
	*Screen Size	Inside	$+ 22-3/8''$ [568mm]	$+ 5/16''$ [8mm]	
		Outside	$+ 23-7/16''$ [595mm]	$+ 1-3/8''$ [35mm]	
If you know Rough Opening and want to determine:	Jamb Size	Add or Subtract from Rough Opening:	NA	$- 1/2''$ [13mm]	$- 1/2''$ [13mm]
	Sash Size		Inside	$(\text{Rough Opening} \div 2) - 1-3/32''$ [28mm]	$- 3-1/32''$ [77mm]
			Outside	$(\text{Rough Opening} \div 2) - 2-3/16''$ [56mm]	$- 4-3/32''$ [104mm]
	Glass Size		Inside	$(\text{Rough Opening} \div 2) - 3-3/16''$ [81mm]	$- 5-1/8''$ [130mm]
			Outside	$(\text{Rough Opening} \div 2) - 4-1/4''$ [108mm]	$- 6-3/16''$ [157mm]
	Daylight Opening		Inside	$(\text{Rough Opening} \div 2) - 4-3/32''$ [104mm]	$- 6-1/32''$ [153mm]
	Outside	$(\text{Rough Opening} \div 2) - 5-3/16''$ [132mm]	$- 7-3/32''$ [180mm]		
	*Screen Size	N/A	$- 4-13/16''$ [122mm]	$- 4-13/16''$ [122mm]	
If you know Daylight Opening and want to determine:	Jamb Size	Add or Subtract from Daylight Opening:	Inside	$(\text{Daylight Opening} \times 2) - 7-21/32''$ [194mm]	$- 3-1/32''$ [77mm]
			Outside	$(\text{Daylight Opening} \times 2) - 9-27/32''$ [250mm]	$- 4-3/32''$ [104mm]
	Sash Size		Inside	$+ 3''$ [76mm]	$+ 3''$ [76mm]
			Outside	$+ 3''$ [76mm]	$+ 3''$ [76mm]
	Glass Size		Inside	$+ 29/32''$ [23mm]	$+ 29/32''$ [23mm]
			Outside	$+ 15/16''$ [24mm]	$+ 29/32''$ [23mm]
	Rough Opening	Inside	$(\text{Daylight Opening} \times 2) - 8-5/32''$ [207mm]	$+ 6-1/32''$ [153mm]	
		Outside	$(\text{Daylight Opening} \times 2) - 10-11/16''$ [263mm]	$+ 7-3/32''$ [180mm]	
	*Screen Size	Inside	$+ 23-9/32''$ [591mm]	$+ 1-7/32''$ [31mm]	
		Outside	$+ 24-3/8''$ [619mm]	$+ 2-9/32''$ [58mm]	

* NOTE: Screen Dimensions do not include Flange portion of Channel.



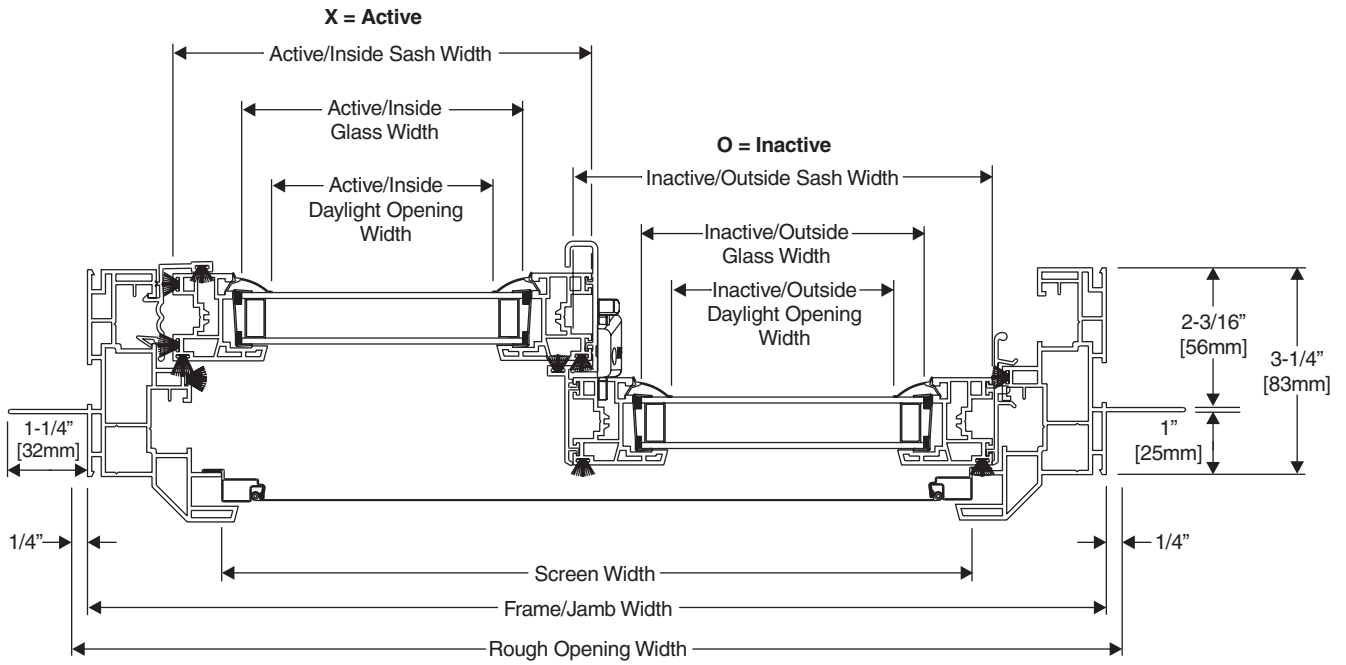
Drawing Not To Scale



NOTE: Sill Inside Insect Barriers removed for clarity. See page 23.



Drawing Not To Scale





Unit Rough Opening	Inside Sash					Outside Sash					Floor to Bottom of Clear Opening [mm] ^a	Sq. Ft [sq m] Overall Unit Area
	Sq. Ft [sq m] Clear Opening	Clear Opening		Sq. Ft [sq m] Daylight Opening	Sq. Ft [sq m] Vent	Sq. Ft [sq m] Clear Opening	Clear Opening		Sq. Ft [sq m] Daylight Opening	Sq. Ft [sq m] Vent		
		Width [mm]	Height [mm]				Width [mm]	Height [mm]				
30x 24	1.42' [1323mm]	10-15/16" [278mm]	18-3/4" [476mm]	1.36' [1266mm]	1.42' [1323mm]	1.42' [1323mm]	10-15/16" [278mm]	18-3/4" [476mm]	1.15' [1072mm]	1.42' [1323mm]	58-5/8" [1488mm]	4.81' [4473mm]
30x 30	1.88' [1745mm]	10-15/16" [278mm]	24-3/4" [629mm]	1.82' [1688mm]	1.88' [1747mm]	1.88' [1747mm]	10-15/16" [278mm]	24-3/4" [629mm]	1.56' [1452mm]	1.88' [1747mm]	52-5/8" [1337mm]	6.04' [5615mm]
30x 36	2.33' [2169mm]	10-15/16" [278mm]	30-3/4" [781mm]	2.27' [2111mm]	2.33' [2169mm]	2.33' [2169mm]	10-15/16" [278mm]	30-3/4" [781mm]	1.97' [1832mm]	2.33' [2169mm]	46-5/8" [1184mm]	7.27' [6756mm]
30x 42	2.79' [2592mm]	10-15/16" [278mm]	36-3/4" [933mm]	2.73' [2533mm]	2.79' [2592mm]	2.79' [2592mm]	10-15/16" [278mm]	36-3/4" [933mm]	2.38' [2212mm]	2.79' [2592mm]	40-5/8" [1032mm]	8.50' [7888mm]
30x 48	3.25' [3016mm]	10-15/16" [278mm]	42-3/4" [1086mm]	3.18' [2958mm]	3.25' [3016mm]	3.25' [3016mm]	10-15/16" [278mm]	42-3/4" [1086mm]	2.79' [2592mm]	3.25' [3016mm]	34-5/8" [875mm]	9.73' [9040mm]
36x 24	1.81' [1678mm]	13-7/8" [352mm]	18-3/4" [476mm]	1.74' [1614mm]	1.81' [1678mm]	1.81' [1682mm]	13-15/16" [354mm]	18-3/4" [476mm]	1.51' [1395mm]	1.81' [1682mm]	58-5/8" [1488mm]	5.79' [5382mm]
36x 30	2.38' [2216mm]	13-7/8" [352mm]	24-3/4" [629mm]	2.32' [2152mm]	2.38' [2216mm]	2.38' [2221mm]	13-15/16" [354mm]	24-3/4" [629mm]	2.04' [1895mm]	2.38' [2221mm]	52-5/8" [1337mm]	7.27' [6756mm]
36x 36	2.96' [2753mm]	13-7/8" [352mm]	30-3/4" [781mm]	2.90' [2691mm]	2.96' [2753mm]	2.97' [2760mm]	13-15/16" [354mm]	30-3/4" [781mm]	2.57' [2382mm]	2.97' [2760mm]	46-5/8" [1184mm]	8.75' [8131mm]
36x 42	3.54' [3291mm]	13-7/8" [352mm]	36-3/4" [933mm]	3.48' [3230mm]	3.54' [3291mm]	3.55' [3299mm]	13-15/16" [354mm]	36-3/4" [933mm]	3.11' [2888mm]	3.55' [3299mm]	40-5/8" [1032mm]	10.23' [9505mm]
36x 48	4.12' [3828mm]	13-7/8" [352mm]	42-3/4" [1086mm]	4.06' [3768mm]	4.12' [3828mm]	4.13' [3838mm]	13-15/16" [354mm]	42-3/4" [1086mm]	3.64' [3384mm]	4.13' [3838mm]	34-5/8" [875mm]	11.71' [10879mm]
36x 54	4.70' [4366mm]	13-7/8" [352mm]	48-3/4" [1238mm]	4.64' [4307mm]	4.70' [4366mm]	4.71' [4377mm]	13-15/16" [354mm]	48-3/4" [1238mm]	4.18' [3881mm]	4.71' [4377mm]	28-5/8" [727mm]	13.19' [12253mm]
36x 60	5.28' [4903mm]	13-7/8" [352mm]	54-3/4" [1391mm]	5.22' [4845mm]	5.28' [4903mm]	5.29' [4916mm]	13-15/16" [354mm]	54-3/4" [1391mm]	4.71' [4377mm]	5.29' [4916mm]	22-5/8" [575mm]	14.67' [13627mm]
42x 24	2.19' [2037mm]	16-7/8" [429mm]	18-3/4" [476mm]	2.11' [1962mm]	2.19' [2037mm]	2.20' [2043mm]	16-7/8" [429mm]	18-3/4" [476mm]	1.86' [1726mm]	2.20' [2043mm]	58-5/8" [1488mm]	6.77' [6292mm]
42x 30	2.89' [2689mm]	16-7/8" [429mm]	24-3/4" [629mm]	2.82' [2616mm]	2.89' [2689mm]	2.90' [2687mm]	16-7/8" [429mm]	24-3/4" [629mm]	2.52' [2359mm]	2.90' [2687mm]	52-5/8" [1337mm]	8.50' [7888mm]
42x 36	3.60' [3341mm]	16-7/8" [429mm]	30-3/4" [781mm]	3.52' [3271mm]	3.60' [3341mm]	3.61' [3352mm]	16-7/8" [429mm]	30-3/4" [781mm]	3.18' [2951mm]	3.61' [3352mm]	46-5/8" [1184mm]	10.23' [9505mm]
42x 42	4.30' [3994mm]	16-7/8" [429mm]	36-3/4" [933mm]	4.23' [3926mm]	4.30' [3994mm]	4.31' [4006mm]	16-7/8" [429mm]	36-3/4" [933mm]	3.84' [3554mm]	4.31' [4006mm]	40-5/8" [1032mm]	11.96' [11111mm]
42x 48	5.00' [4646mm]	16-7/8" [429mm]	42-3/4" [1086mm]	4.93' [4581mm]	5.00' [4646mm]	5.02' [4651mm]	16-7/8" [429mm]	42-3/4" [1086mm]	4.50' [4176mm]	5.02' [4651mm]	34-5/8" [875mm]	13.69' [12718mm]
42x 54	5.70' [5298mm]	16-7/8" [429mm]	48-3/4" [1238mm]	5.64' [5235mm]	5.70' [5298mm]	5.72' [5315mm]	16-7/8" [429mm]	48-3/4" [1238mm]	5.15' [4785mm]	5.72' [5315mm]	28-5/8" [727mm]	15.42' [14324mm]
42x 60	6.41' [5951mm]	16-7/8" [429mm]	54-3/4" [1391mm]	6.34' [5890mm]	6.41' [5951mm]	6.43' [5969mm]	16-7/8" [429mm]	54-3/4" [1391mm]	5.81' [5401mm]	6.43' [5969mm]	22-5/8" [575mm]	17.15' [15931mm]
48x 24	2.58' [2396mm]	19-13/16" [503mm]	18-3/4" [476mm]	2.49' [2310mm]	2.58' [2396mm]	2.59' [2404mm]	19-7/8" [509mm]	18-3/4" [476mm]	2.21' [2054mm]	2.59' [2404mm]	58-5/8" [1488mm]	7.75' [7202mm]
48x 30	3.41' [3164mm]	19-13/16" [503mm]	24-3/4" [629mm]	3.32' [3080mm]	3.41' [3164mm]	3.42' [3174mm]	19-7/8" [509mm]	24-3/4" [629mm]	2.99' [2782mm]	3.42' [3174mm]	52-5/8" [1337mm]	9.73' [9040mm]
48x 36	4.23' [3931mm]	19-13/16" [503mm]	30-3/4" [781mm]	4.15' [3851mm]	4.23' [3931mm]	4.25' [3944mm]	19-7/8" [509mm]	30-3/4" [781mm]	3.78' [3511mm]	4.25' [3944mm]	46-5/8" [1184mm]	11.71' [10879mm]
48x 42	5.06' [4699mm]	19-13/16" [503mm]	36-3/4" [933mm]	4.98' [4622mm]	5.06' [4699mm]	5.07' [4714mm]	19-7/8" [509mm]	36-3/4" [933mm]	4.56' [4239mm]	5.07' [4714mm]	40-5/8" [1032mm]	13.69' [12718mm]
48x 48	5.88' [5466mm]	19-13/16" [503mm]	42-3/4" [1086mm]	5.81' [5393mm]	5.88' [5466mm]	5.90' [5484mm]	19-7/8" [509mm]	42-3/4" [1086mm]	5.35' [4968mm]	5.90' [5484mm]	34-5/8" [875mm]	15.67' [14556mm]
48x 54	6.71' [6234mm]	19-13/16" [503mm]	48-3/4" [1238mm]	6.63' [6164mm]	6.71' [6234mm]	6.73' [6259mm]	19-7/8" [509mm]	48-3/4" [1238mm]	6.13' [5687mm]	6.73' [6259mm]	28-5/8" [727mm]	17.65' [16395mm]
48x 60	7.54' [7002mm]	19-13/16" [503mm]	54-3/4" [1391mm]	7.46' [6939mm]	7.54' [7002mm]	7.56' [7029mm]	19-7/8" [509mm]	54-3/4" [1391mm]	6.92' [6429mm]	7.56' [7029mm]	22-5/8" [575mm]	19.63' [18234mm]

- a These sizes meet or exceed egress opening requirements per 1999 BOCA (Building Officials And Code Administrators) National Building Code and 1994 UBC (Uniform Building Code) minimum dimensions of 20" [508mm] clear opening width, 24" [610mm] clear opening height, 5.7 sq. ft. [5295 cm²] clear opening and floor to bottom of clear opening not to exceed 44" [1118mm] in height. Verify local or state egress opening sizes with your local building inspector.
- b Floor to bottom of clear opening dimensions are based on 79-3/4" [2026mm] frame height of Visions 2000 hinged and sliding patio doors.



Unit Rough Opening	Inside Sash					Outside Sash					Floor to Bottom of Clear Opening [mm] ^a	Sq. Ft. [cm ²] Overall Unit Area
	Sq. Ft. [cm ²] Clear Opening	Clear Opening		Sq. Ft. [cm ²] Daylight Opening	Sq. Ft. [cm ²] Vent	Sq. Ft. [cm ²] Clear Opening	Clear Opening		Sq. Ft. [cm ²] Daylight Opening	Sq. Ft. [cm ²] Vent		
		Width Inches [mm]	Height Inches [mm]				Width Inches [mm]	Height Inches [mm]				
54 x 24	2.97" [2757mm]	22-13/16" [579mm]	18-3/4" [476mm]	2.86" [2658mm]	2.97" [2757mm]	2.98" [2766mm]	22-7/8" [581mm]	18-3/4" [476mm]	2.56" [2381mm]	2.98" [2766mm]	58-5/8" [1489mm]	8.73" [8111mm]
54 x 30	3.92" [3640mm]	22-13/16" [579mm]	24-3/4" [629mm]	3.82" [3545mm]	3.92" [3640mm]	3.93" [3652mm]	22-7/8" [581mm]	24-3/4" [629mm]	3.47" [3226mm]	3.93" [3652mm]	52-5/8" [1337mm]	10.96" [10182mm]
54 x 36	4.87" [4523mm]	22-13/16" [579mm]	30-3/4" [781mm]	4.77" [4432mm]	4.87" [4523mm]	4.88" [4538mm]	22-7/8" [581mm]	30-3/4" [781mm]	4.38" [4071mm]	4.88" [4538mm]	46-5/8" [1184mm]	13.19" [12253mm]
54 x 42 ^a	5.82" [5406mm]	22-13/16" [579mm]	36-3/4" [933mm]	5.72" [5319mm]	5.82" [5406mm]	5.84" [5423mm]	22-7/8" [581mm]	36-3/4" [933mm]	5.29" [4915mm]	5.84" [5423mm]	40-5/8" [1032mm]	15.42" [14324mm]
54 x 48 ^a	6.77" [6289mm]	22-13/16" [579mm]	42-3/4" [1086mm]	6.68" [6206mm]	6.77" [6289mm]	6.79" [6309mm]	22-7/8" [581mm]	42-3/4" [1086mm]	6.20" [5760mm]	6.79" [6309mm]	34-5/8" [879mm]	17.65" [16395mm]
54 x 54 ^a	7.72" [7172mm]	22-13/16" [579mm]	48-3/4" [1238mm]	7.63" [7093mm]	7.72" [7172mm]	7.74" [7195mm]	22-7/8" [581mm]	48-3/4" [1238mm]	7.11" [6605mm]	7.74" [7195mm]	28-5/8" [727mm]	19.88" [18466mm]
54 x 60 ^a	8.67" [8055mm]	22-13/16" [579mm]	54-3/4" [1391mm]	8.59" [7980mm]	8.67" [8055mm]	8.70" [8081mm]	22-7/8" [581mm]	54-3/4" [1391mm]	8.02" [7449mm]	8.70" [8081mm]	22-5/8" [575mm]	22.11" [20537mm]
60 x 24	3.36" [3118mm]	25-13/16" [656mm]	18-3/4" [476mm]	3.24" [3006mm]	3.36" [3118mm]	3.37" [3128mm]	25-7/8" [657mm]	18-3/4" [476mm]	2.92" [2709mm]	3.37" [3128mm]	58-5/8" [1489mm]	9.71" [9021mm]
60 x 30	4.43" [4116mm]	25-13/16" [656mm]	24-3/4" [629mm]	4.31" [4009mm]	4.43" [4116mm]	4.44" [4129mm]	25-7/8" [657mm]	24-3/4" [629mm]	3.95" [3669mm]	4.44" [4129mm]	52-5/8" [1337mm]	12.19" [11324mm]
60 x 36	5.51" [5115mm]	25-13/16" [656mm]	30-3/4" [781mm]	5.39" [5012mm]	5.51" [5115mm]	5.52" [5131mm]	25-7/8" [657mm]	30-3/4" [781mm]	4.98" [4630mm]	5.52" [5131mm]	46-5/8" [1184mm]	14.67" [13627mm]
60 x 42 ^a	6.58" [6114mm]	25-13/16" [656mm]	36-3/4" [933mm]	6.47" [6015mm]	6.58" [6114mm]	6.60" [6133mm]	25-7/8" [657mm]	36-3/4" [933mm]	6.02" [5591mm]	6.60" [6133mm]	40-5/8" [1032mm]	17.15" [15931mm]
60 x 48 ^a	7.66" [7112mm]	25-13/16" [656mm]	42-3/4" [1086mm]	7.55" [7018mm]	7.66" [7112mm]	7.68" [7135mm]	25-7/8" [657mm]	42-3/4" [1086mm]	7.05" [6552mm]	7.68" [7135mm]	34-5/8" [879mm]	19.63" [18234mm]
60 x 54 ^a	8.73" [8111mm]	25-13/16" [656mm]	48-3/4" [1238mm]	8.63" [8021mm]	8.73" [8111mm]	8.76" [8136mm]	25-7/8" [657mm]	48-3/4" [1238mm]	8.09" [7513mm]	8.76" [8136mm]	28-5/8" [727mm]	22.11" [20537mm]
60 x 60 ^a	9.81" [9109mm]	25-13/16" [656mm]	54-3/4" [1391mm]	9.71" [9024mm]	9.81" [9109mm]	9.84" [9138mm]	25-7/8" [657mm]	54-3/4" [1391mm]	9.12" [8473mm]	9.84" [9138mm]	22-5/8" [575mm]	24.59" [22840mm]
72 x 24	4.13" [3841mm]	31-3/4" [806mm]	18-3/4" [476mm]	3.98" [3701mm]	4.13" [3841mm]	4.15" [3852mm]	31-7/8" [810mm]	18-3/4" [476mm]	3.62" [3363mm]	4.15" [3852mm]	58-5/8" [1489mm]	11.67" [10840mm]
72 x 30	5.46" [5071mm]	31-3/4" [806mm]	24-3/4" [629mm]	5.31" [4937mm]	5.46" [5071mm]	5.47" [5085mm]	31-7/8" [810mm]	24-3/4" [629mm]	4.90" [4556mm]	5.47" [5085mm]	52-5/8" [1337mm]	14.65" [13608mm]
72 x 36	6.78" [6301mm]	31-3/4" [806mm]	30-3/4" [781mm]	6.64" [6172mm]	6.78" [6301mm]	6.80" [6319mm]	31-7/8" [810mm]	30-3/4" [781mm]	6.19" [5749mm]	6.80" [6319mm]	46-5/8" [1184mm]	17.63" [16376mm]
72 x 42 ^a	8.11" [7531mm]	31-3/4" [806mm]	36-3/4" [933mm]	7.97" [7408mm]	8.11" [7531mm]	8.13" [7553mm]	31-7/8" [810mm]	36-3/4" [933mm]	7.47" [6942mm]	8.13" [7553mm]	40-5/8" [1032mm]	20.61" [19144mm]
72 x 48 ^a	9.43" [8761mm]	31-3/4" [806mm]	42-3/4" [1086mm]	9.30" [8643mm]	9.43" [8761mm]	9.46" [8786mm]	31-7/8" [810mm]	42-3/4" [1086mm]	8.76" [8136mm]	9.46" [8786mm]	34-5/8" [879mm]	23.59" [21911mm]
72 x 54 ^a	10.75" [9991mm]	31-3/4" [806mm]	48-3/4" [1238mm]	10.63" [9878mm]	10.75" [9991mm]	10.79" [10020mm]	31-7/8" [810mm]	48-3/4" [1238mm]	10.04" [9329mm]	10.79" [10020mm]	28-5/8" [727mm]	26.56" [24679mm]
72 x 60 ^a	12.08" [11223mm]	31-3/4" [806mm]	54-3/4" [1391mm]	11.96" [11111mm]	12.08" [11223mm]	12.11" [11251mm]	31-7/8" [810mm]	54-3/4" [1391mm]	11.33" [10526mm]	12.11" [11251mm]	22-5/8" [575mm]	29.54" [27444mm]

a These sizes meet or exceed egress opening requirements per 1999 BOCA (Building Officials And Code Administrators) National Building Code and 1994 UBC (Uniform Building Code) minimum dimensions of 20" [508mm] clear opening width, 24" [610mm] clear opening height, 5.7 sq. ft. [5295 cm²] clear opening and floor to bottom of clear opening not to exceed 44" [1118mm] in height. Verify local or state egress opening sizes with your local building inspector.

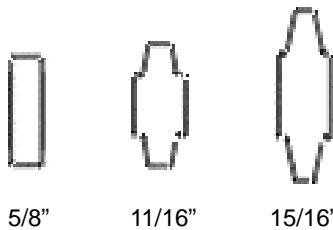
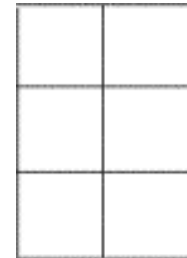
b Floor to bottom of clear opening dimensions are based on 79-3/4" [2026mm] frame height of Visions 2000 hinged and sliding patio doors.



I.S./Active Glass, I.S./Active Sash, O.S./Inactive Glass, O.S./Inactive Sash.

To Order Replacement Glass, Specify The Following:

- 1) Manufacturing Date / Glass Code (See Page 1): _____
- 2) Rough Opening (R.O.) Size (See Pages 7-10):
Width: _____ Height: _____
- 3) Glazing Option (See Page 12):
 13/16" Insul
- 4) Spacer Color:
 Silver Anodized
 Bronze Anodized
- 5) Glass Type:
 Clear
 Low E
 Special Glass: (Obscure, Tinted, Patterned, Etc.) _____
 SDL Configuration: Wide: _____ High: _____ (Example: Wide: 2 High: 3)
 7/8" Bar
 Grille in Airspace and Configuration:
Grille Type:
 5/8" Rectangular Wide: _____ High: _____
 11/16" Sculptured Rectangular Wide: _____ High: _____
 15/16" Sculptured Rectangular Wide: _____ High: _____
Color: (See Examples Below)
 White
 Tan
 Cameo {S 5-02}



- Gas:
 Argon/Krypton/SF6 (circle which one applies)

NOTE: If ordering glass only, stop here.

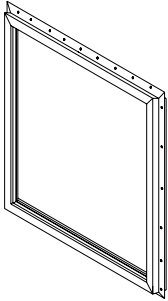
- 6) Sash Type:
 Inside Outside
- 7) Sash Locks:
 1 Lock 2 Locks
- 8) Exterior/Interior Color:
 White
 Tan
 Cameo {S 5-02}



Double-Slide Window Sash, Glass, and Glazing Bead

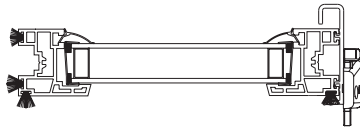
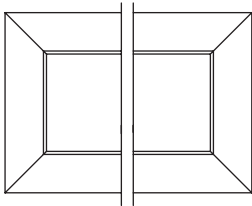
Specify R.O. Width and Height when ordering parts listed below. See Pages 7-10 for R.O. Measurements.

#1) Frame only



COLOR	CONFIGURED NUMBER {S 4-02}
White	C060206-01-FMO
Tan	
Cameo	

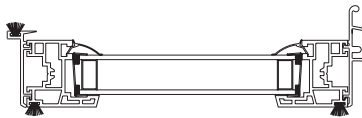
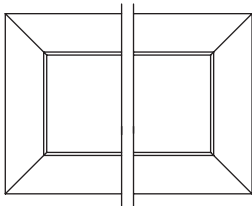
#2) Active/Inside Sash - I.S.



COLOR	CONFIGURED NUMBER {S 4-02}
White	C060206-01-RS2
Tan	
Cameo	

NOTE: Specify Type of Glass i.e. Clear, Low E, Bronze, etc., XO or OX, 1 or 2 Sash Locks, and Reinforcement Sash.

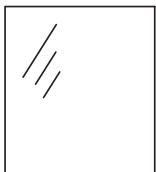
#3) Inactive/Outside Sash - O.S.



COLOR	CONFIGURED NUMBER {S 4-02}
White	C060206-01-RS1
Tan	
Cameo	

NOTE: Specify Type of Glass i.e. Clear, Low E, Bronze, etc., XO or OX, 1 or 2 Sash Locks, and Reinforcement Sash.

#4 & 5) Active/Inactive Glass



GLASS TYPE	CONFIGURED NUMBER {S 4-02}
Active I.S.	C060206-01-GL2
Inactive O.S.	C060206-01-GL1

NOTE: Specify Type of Glass i.e. Clear, Low E, Bronze, etc.

***Glazing Bead Set is ordered separately.**



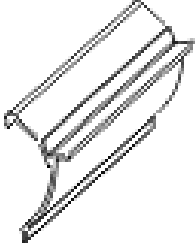
VISIONS 2000®

Vinyl Windows & Doors

Double-Slide Window Sash, Glass, and Glazing Bead

Specify R.O. Width and Height when ordering parts listed below. See Pages 7-10 for R.O. Measurements.

#23) Glazing Bead
Extrusion #8369-V

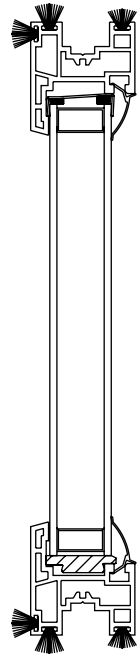


GLAZING BEAD SET	
COLOR	CONFIGURED NUMBER (S 4 DG)
White	C06000-GBS
Tan	
Cameo	

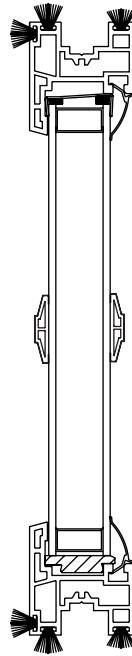
COLOR	4" R.O. RECES PART NUMBER	CONFIGURED NUMBER (S 4 DG)
White	760723	C760723
Tan	760724	
Cameo	762341	



Drawings Not To Scale



13/16" Insul



13/16" Insul
7/8" SDL

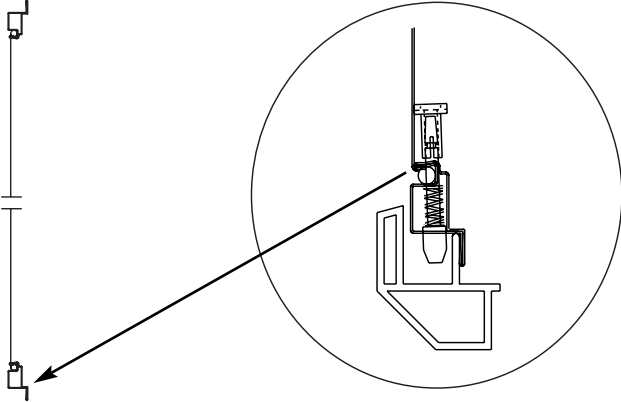


Unit Rough Opening	Standard Rectangle Grille/SDL Divisions
	Outside Sash / Inside Sash
90 x 24	1W 2H / 1W 2H
90 x 30	1W 2H / 1W 2H
90 x 36	1W 3H / 1W 3H
90 x 42	1W 3H / 1W 3H
90 x 48	1W 4H / 1W 4H
96 x 24	2W 2H / 2W 2H
96 x 30	2W 2H / 2W 2H
96 x 36	2W 3H / 2W 3H
96 x 42	2W 3H / 2W 3H
96 x 48	2W 4H / 2W 4H
96 x 54	2W 4H / 2W 4H
96 x 60	2W 5H / 2W 5H
42 x 24	2W 2H / 2W 2H
42 x 30	2W 2H / 2W 2H
42 x 36	2W 3H / 2W 3H
42 x 42	2W 3H / 2W 3H
42 x 48	2W 4H / 2W 4H
42 x 54	2W 4H / 2W 4H
42 x 60	2W 5H / 2W 5H
48 x 24	2W 2H / 2W 2H
48 x 30	2W 2H / 2W 2H
48 x 36	2W 3H / 2W 3H
48 x 42	2W 3H / 2W 3H
48 x 48	2W 4H / 2W 4H
48 x 54	2W 4H / 2W 4H
48 x 60	2W 5H / 2W 5H
54 x 24	3W 2H / 3W 2H
54 x 30	3W 2H / 3W 2H
54 x 36	3W 3H / 3W 3H
54 x 42	3W 3H / 3W 3H
54 x 48	3W 4H / 3W 4H
54 x 54	3W 4H / 3W 4H
54 x 60	3W 5H / 3W 5H
60 x 24	3W 2H / 3W 2H
60 x 30	3W 2H / 3W 2H
60 x 36	3W 3H / 3W 3H
60 x 42	3W 3H / 3W 3H
60 x 48	3W 4H / 3W 4H
60 x 54	3W 4H / 3W 4H
60 x 60	3W 5H / 3W 5H
72 x 24	3W 2H / 3W 2H
72 x 30	3W 2H / 3W 2H
72 x 36	3W 3H / 3W 3H
72 x 42	3W 3H / 3W 3H
72 x 48	3W 4H / 3W 4H
72 x 54	3W 4H / 3W 4H
72 x 60	3W 5H / 3W 5H



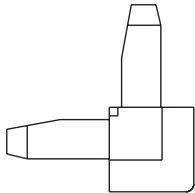
Specify R.O. width and height and screen material when ordering Configured Number parts.

#6) Flange Screen



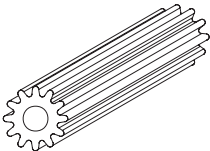
COLOR	CONFIGURED NUMBER {S 4-02}
White	C060206-01-SCR
Tan	
Cameo	

7/16" Flanged Screen Corner Key



COLOR	PART NUMBER
White	982497
Tan	982498
Cameo	982593

Screen Spline
Extrusion #1018



CONFIGURED NUMBER {S 4-02}
C761554

#7) Plunger Spring Assembly (Full/Flanged Screen)



PART	PART NUMBER
Spring	979019
Plunger	979017

COLOR	COMPLETE ASSEMBLY PART NUMBER	KNOB PART NUMBER
White	979557	979018
Tan	981506	981474
Cameo	Use 979557 (White)	Use 979018 (White)

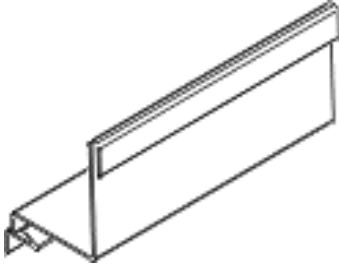
Screen Mull Bar



COLOR	CONFIGURED NUMBER {S 4-02}
White	C967098
Tan	
Cameo	

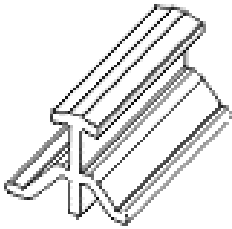


Head Mull Cover Drip Cap {S 5-95}
 Extrusion #4012-V



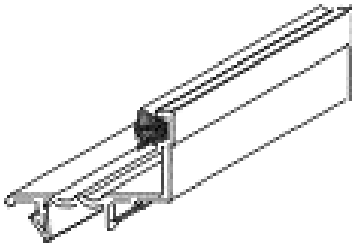
COLOR	5' PIECE PART NUMBER	14'6" PIECE PART NUMBER	*CONFIGURED NUMBER {S 4 02}
White	760848	760896	C760886
Tan	760863	760897	
Cameo	762321	762308	

#27) Sill Cavity Reinforcement
 Extrusion #8387-V



14'6" PIECE PART NUMBER	*CONFIGURED NUMBER {S 4 02}
760974	C760974

#9) Vinyl Sill Jamb Cover w/Weather Strip
 Extrusion #7012-V



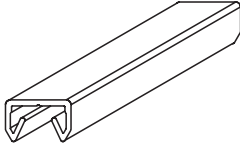
COLOR	*CONFIGURED NUMBER {S 4 02}
White	C762259
Tan	
Cameo	

**Part may be ordered by specifying Rough Opening or Specific Length in Inches.*



Double-Slide Window Horizontal Replacement Parts

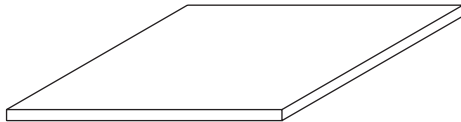
#22) Interior/Exterior Small Mull Cover
Extrusion #2322-V



NOTE: Order 2 per mull.

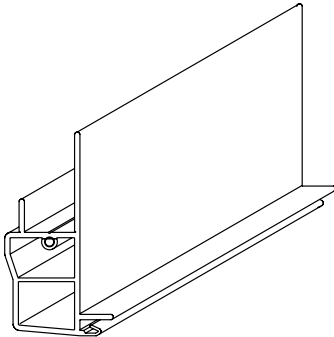
COLOR	14'6" PIECE PART NUMBER	*CONFIGURED NUMBER {S 4-02}
White	760481	C760481
Tan	760544	
Cameo	762372	

#21) Mull Reinforcement Bar Aluminum {S 6-96}
Extrusion #8603



14'6" PIECE PART NUMBER	*CONFIGURED NUMBER {S 4-02}
967368	C967368

Vinyl Brickmould
Extrusion #1084



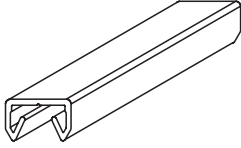
COLOR	14'6" PIECE PART NUMBER	*CONFIGURED NUMBER {S 4-02}
White	761113	C761113
Tan	761114	
Cameo	762384	

***Part may be ordered by specifying Rough Opening or Specific Length in Inches.**



Double-Slide Window Vertical Replacement Parts

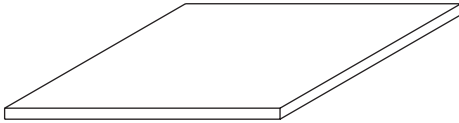
#22) Interior/Exterior Small Mull Cover
Extrusion #2322-V



NOTE: Order 2 per mull.

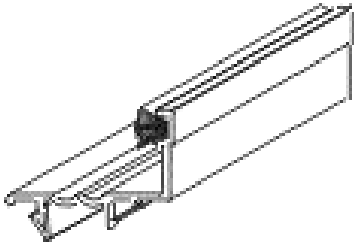
COLOR	14'6" PIECE PART NUMBER	*CONFIGURED NUMBER {S 4-02}
White	760481	C760481
Tan	760544	
Cameo	762372	

#21) Mull Reinforcement Bar Aluminum {S 6-96}
Extrusion #8603



14'6" PIECE PART NUMBER	*CONFIGURED NUMBER {S 4-02}
967368	C967368

#24) Vinyl Side Jamb Cover w/Weather Strip
Extrusion #7012-V

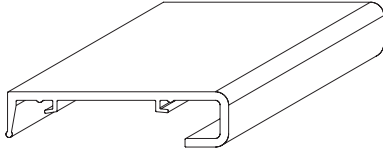


COLOR	*CONFIGURED NUMBER {S 4-02}
White	C762269
Tan	
Cameo	

***Part may be ordered by specifying Rough Opening or Specific Length in Inches.**

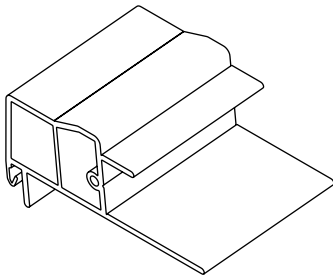


#8) Inside Sash Interlock with Fingerlift Punched
Extrusion #8252-V



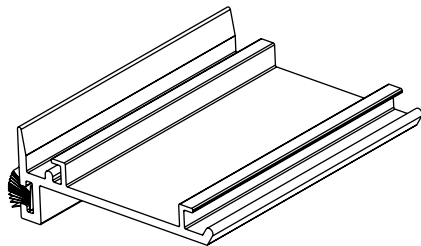
COLOR	*CONFIGURED NUMBER {S 4-02}
White	C761325
Tan	
Cameo	

Vinyl Brickmould
Extrusion #1084



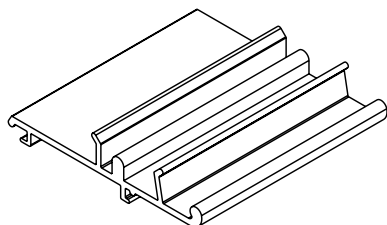
COLOR	14'6" PIECE PART NUMBER	*CONFIGURED NUMBER {S 4-02}
White	761113	C761113
Tan	761114	
Cameo	762384	

#16) Outside Sash Interlock w/Weatherstrip
Extrusion #8383-V



COLOR	14'6" PIECE PART NUMBER	*CONFIGURED NUMBER {S 4-02}
White	760970	C760970
Tan	760971	
Cameo	762297	

#29) Outside Sash Fingerlift
Extrusion #7013-V

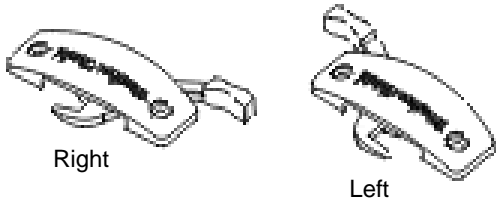


COLOR	14'6" PIECE PART NUMBER	*CONFIGURED NUMBER {S 4-02}
White	760968	C760968
Tan	760969	
Cameo	762364	

***Part may be ordered by specifying Rough Opening or Specific Length in Inches.**

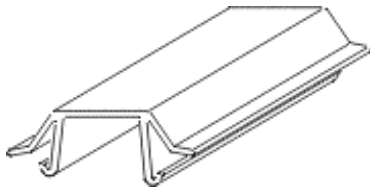


#17) Sash Locks



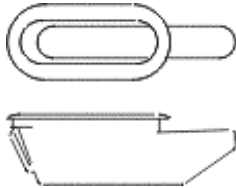
COLOR	RIGHT PART NUMBER	LEFT PART NUMBER
White	941211	941212
Tan	941213	941214
Cameo	941325	941324

#28) Sash Stop
Extrusion #8364-V



COLOR	1-1/4" PIECE PART NUMBER	4"6" RECE PART NUMBER	*CONFIGURED NUMBER (S 4-02)
White	761020	760662	C760662
Tan	761021	760664	
Cameo	762339-1250	762340	

#20) Reversible Lock Slot Insert



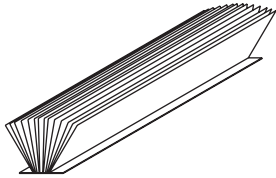
COLOR	PART NUMBER
White	982002
Tan	982003
Cameo	941319

**Part may be ordered by specifying Rough Opening or Specific Length in Inches.*



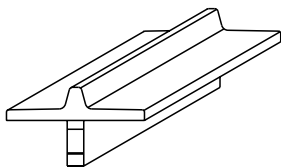
Pile Weather Strip

- A) 27018758 WHWF (w/Center Fin)
- B) 28018750 WHWP (w/o Center Fin)
- C) 35018758 WHWF (w/Center Fin)



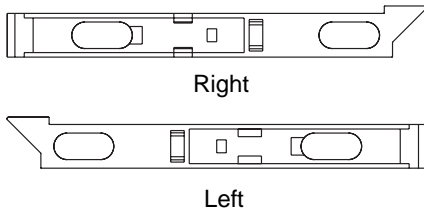
WEATHER STRIP HEIGHT	*CONFIGURED NUMBER {S 4-02}
A - .270	C982041
B - .280	C981514
C - .350	C981520

#15) Thumb Button 550172



COLOR	PART NUMBER
White	980317
Tan	980514
Cameo	941323

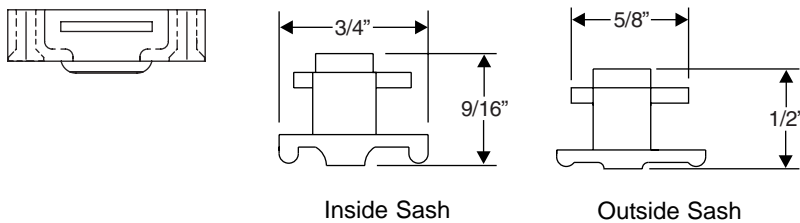
#14) Latches



COLOR	RIGHT PART NUMBER	LEFT PART NUMBER
White	980316	980315
Tan	981505	981504
Cameo	941322	941321

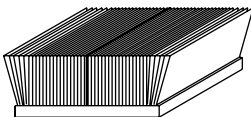
NOTE: Latches are viewed from the exterior.

#12 & 13) Bottom Rail Sash Slide



INSIDE PART NUMBER	OUTSIDE PART NUMBER
982030	980757

Meeting Rail Dust Pad
160375WHAF0500S

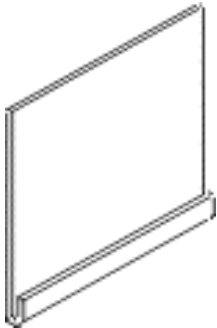


PART NUMBER
981704

***Part may be ordered by specifying Rough Opening or Specific Length in Inches.**

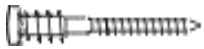


Integral Sill Nailing Fin Mulling Gasket {S 5-95}



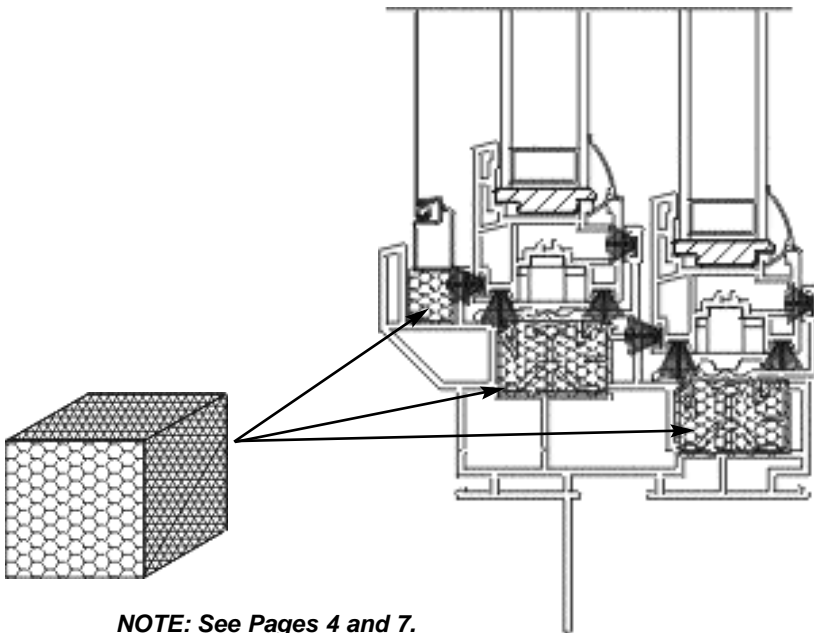
PART NUMBER
981544

Center Anchor Screw (Jamb Jack II)



PART NUMBER
972585

Sill Insect Barrier (1" x 11/16" x 1"0)

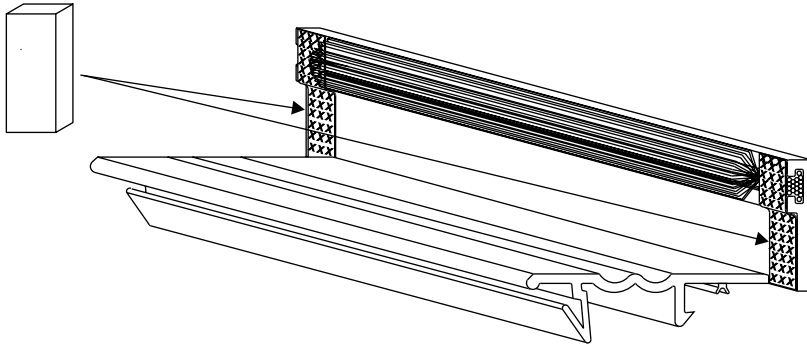


PART NUMBER
981845

NOTE: See Pages 4 and 7.



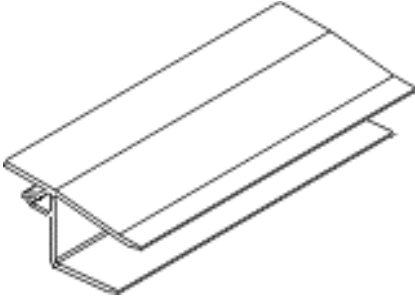
Sill Cover Gasket



PART NUMBER
981460

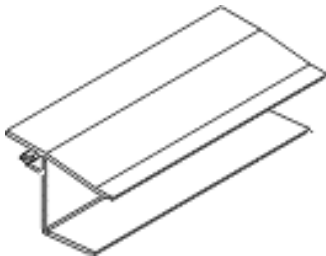


1/2" - 5/8" Jamb Extension/Drywall Return
Extrusion #2327-V



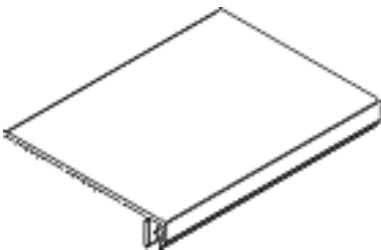
COLOR	14'6" PIECE PART NUMBER	*CONFIGURED NUMBER (S 4-02)
White	760485	C760485
Tan	760598	
Cameo	762306	

3/4" - 7/8" Jamb Extension/Drywall Return
Extrusion #2330-V



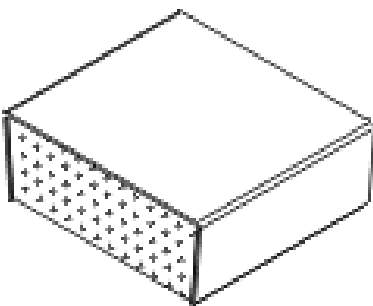
COLOR	14'6" PIECE PART NUMBER	*CONFIGURED NUMBER (S 4-02)
White	760642	C760642
Tan	760643	
Cameo	762307	

Sill Extender for Replacement (All Products)
Extrusion #1041-V



COLOR	14'6" PIECE PART NUMBER	*CONFIGURED NUMBER (S 4-02)
White	760672	C760672
Tan	760673	
Cameo	762346	

Head Expander - Wood Replacement w/Foam Filler
Extrusion #2136-V

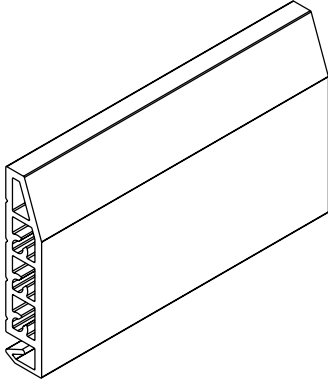


COLOR	14'6" PIECE PART NUMBER	*CONFIGURED NUMBER (S 4-02)
White	106138	C760758
Tan	106139	
Cameo	106140	

*Part may be ordered by specifying Rough Opening or Specific Length in Inches.

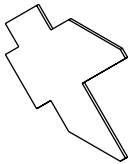


Retro Z-Casing (All Products)
Extrusion #1044-V



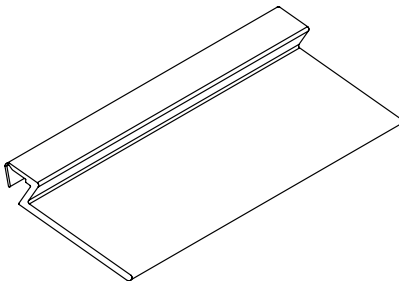
COLOR	14'6" PIECE PART NUMBER	*CONFIGURED NUMBER {S 4-02}
White	760702	C760702
Tan	760703	
Cameo	762347	

Corner Gusset



PART NUMBER
980577

Jamb Extension Clip
Extrusion #1089-V

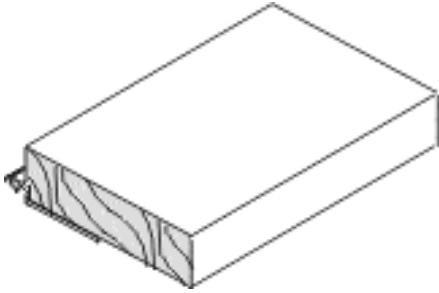


69" PIECE PART NUMBER	14'6" PIECE PART NUMBER	*CONFIGURED NUMBER {S 4-02}
761908	761907	C761907

**Part may be ordered by specifying Rough Opening or Specific Length in Inches.*

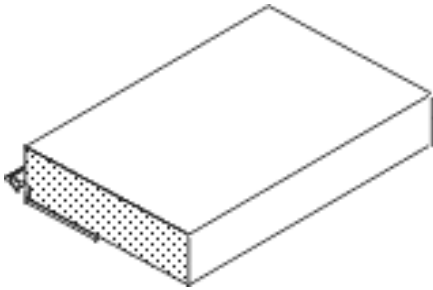


Pine Jamb Extension w/Clip



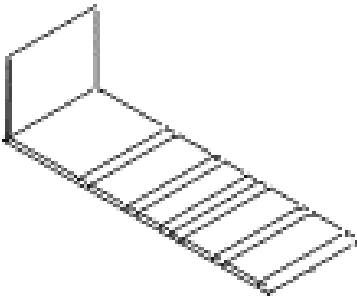
*CONFIGURED NUMBER {S 4-02}
C1027158

Cellular PVC Jamb Extension



*CONFIGURED NUMBER {S 4-02}
C975854

Vinyl Drywall Jamb Extension
Extrusion #1065

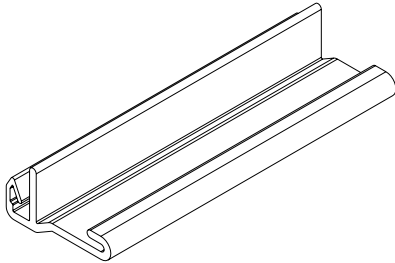


COLOR	14 6" PIECE PART NUMBER	*CONFIGURED NUMBER {S 4-02}
White	761861	C761861
Tan	761862	
Cameo	762352	

***Part may be ordered by specifying Rough Opening or Specific Length in Inches.**

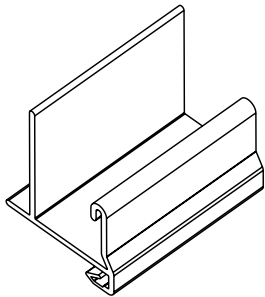


J-Channel w/o Nail Fin
Extrusion #1060



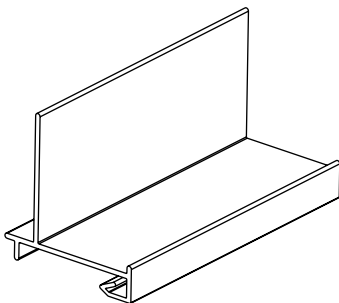
COLOR	14'6" PIECE PART NUMBER	*CONFIGURED NUMBER {S 4-02}
White	760931	C760931
Tan	760932	
Cameo	762348	

J-Channel w/Nail Fin
Extrusion #1061



COLOR	14'6" PIECE PART NUMBER	*CONFIGURED NUMBER {S 4-02}
White	760933	C760933
Tan	760934	
Cameo	762349	

Rigid Nailing Fin
Extrusion #2329

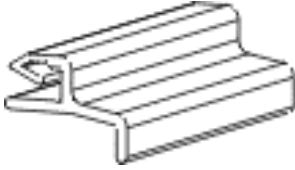


COLOR	14'6" PIECE PART NUMBER	*CONFIGURED NUMBER {S 4-02}
White	760494	C760494
Tan	760550	

***Part may be ordered by specifying Rough Opening or Specific Length in Inches.**

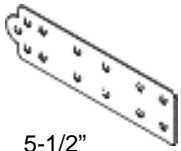


11/16" Stucco Adapter
Extrusion #1063-V

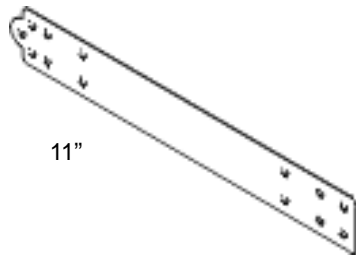


COLOR	14'6" PIECE PART NUMBER	*CONFIGURED NUMBER (S 4-02)
White	761795	C761795
Tan	761795	
Cameo	762350	

Installation Clips (194.0)



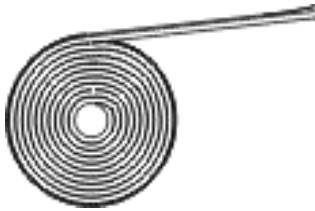
5-1/2"



11"

SIZE	PART NUMBER
5-1/2"	979193
11"	982042

Double Face Glazing Tape (White) - 1/16" x 1/4" x 216'



PART NUMBER
973164

**Part may be ordered by specifying Rough Opening or Specific Length in Inches.*